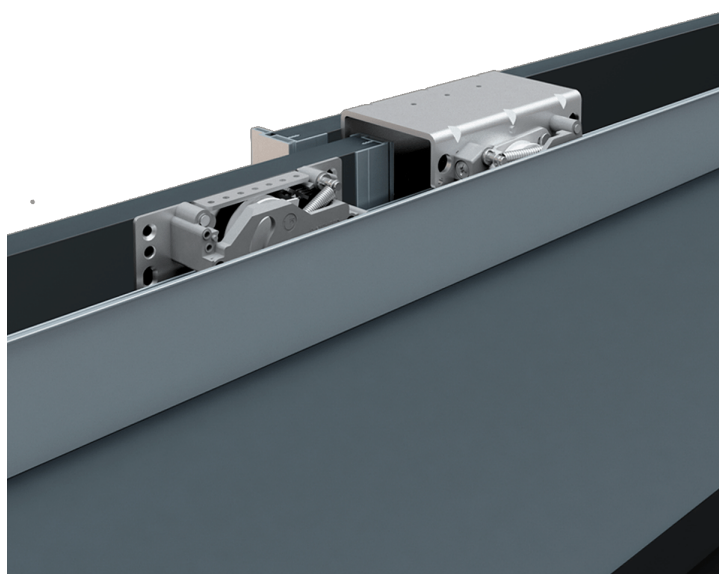




## Comfort





The new soft and silent adjustable sliding system



 22 ÷ 40 mm

 Max 80 kg

 17 ÷ 35 mm

 Fluid dampers



## Comfort



Comfort is an adjustable sliding system for wardrobes with overlapped doors, integrating new soft-closing dampers allowing to cut noise due to mechanism activation: so the system will result extremely silent either in opening, as in its closing. Comfort new dampers, compared to traditional ones, will allow a softer and smoother motion, effortlessly.

New generation hydraulic damper to allow a very quiet and fluid soft-closing motion of wardrobe doors.

New dampers activation system, totally mechanical, it is the main “green” alternative to already existing systems currently on the market.

Doors opening force significantly reduced thanks to new “tilting” PATENTED dampers activation system, which allows a controlled release of dampers during opening motion.

In response to latest market aesthetical requirements, Comfort’s dampers are totally concealed from view by sliding track.

Suitable to wardrobe doors thickness up to 40 mm, Comfort sliding system allows the realization of doors up to 80 kg with the same dampers set.

